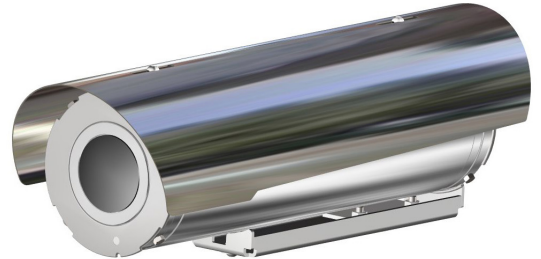


INNO FIXED THERMAL

INNOVATIVE STAINLESS STEEL HOUSING FOR THERMAL CAMERAS

SAFE AREA

- **INNOVATIVE PRODUCT, BEST IN CLASS TECHNOLOGY**
- AISI316L STAINLESS STEEL CONSTRUCTION
- GERMANIUM OR SAPPHIRE WINDOW
- SUITABLE FOR MWIR OR LWIR CAMERAS
- SUITABLE FOR UNCOOLED AND COOLED THERMAL CAMERAS
- IP66/67
- OPTIONAL BUILT-IN FIBER MEDIA CONVERTER
- OPTIONAL BUILT-IN IP OVER COAXIAL CONVERTER
- OPTIONAL BUILT-IN 120VAC OR 230VAC POWER SUPPLY



TECHNICAL SPECIFICATIONS

GENERAL & MECHANICAL

Dimensions	See dimensions drawings
Operating Temperature	-60°C+60°C, +75°C peak (-40°F +140°F, +167°F peak)
Construction	AISI316L Stainless Steel
Finish	Electro-polished
Window	Germanium HC coated 75mm or Sapphire 75mm
Mounting	2x M6, centre to centre 63.5mm
Cable entries	2x M20 x1,5, nickel plated brass cable glands included
Weight	Unit: 5 Kg / Package: 6.5 Kg

ELECTRICAL

Temperature Climatization	T[°C] ON = 12 ± 4°C, T[°C] OFF = 20 ± 3°C
Available voltages	24VAC, 120VAC, 230VAC (+/-10%) PoE available on request
Power consumption	40W MAX

CERTIFICATIONS

Ingress Protection	EN 60529 (IP66/IP67)
EMC	EN 55032; EN 55035; EN/IEC 61000-3-2; EN/IEC 61000-3-3; EN/IEC 61000-6-2; EN/IEC 61000-6-4; CISPR-32; CISPR-35
LVD	EN/IEC 62368-1
RoHS	2011/65/EU + 2015/863/EU (RoHS 3)
WEEE	2012/19/EU

FIBER MEDIA CONVERTER

Interface	100 Base-FX/1000BASE-X
Cabling	Singlemode (9/125 μm) /two fibers/SC connector
Maximum Distance	20km
Wavelength	1310 nm

IP OVER COAXIAL CONVERTER

Interface	10/100 Base-TX over Coaxial Cable
Bandwidth	Up to 95Mbps downlink/uplink
Maximum Distance	1800m
Technology	Broadband over Power Lines (BPL)
Interference Prevention	IEEE 1901-2010 Inter-System Protocol ISP

MODELS

TSF2-IR-M	New Generation stainless steel Thermal camera housing, MEDIUM size, 120VAC
TSF3-IR-M	New Generation stainless steel Thermal camera housing, MEDIUM size,, 230VAC
TSF6-IR-M	New Generation stainless steel Thermal camera housing, MEDIUM size, 24VAC/DC
TSF2-IR-L	New Generation stainless steel Thermal camera housing, LONG size, 120VAC
TSF3-IR-L	New Generation stainless steel Thermal camera housing, LONG size, 230VAC
TSF6-IR-L	New Generation stainless steel Thermal camera housing, LONG size, 24VAC/DC

- All the above models include sunshield, heater and a 75mm Germanium window.

- For the versions with Sapphire window (1-5um IR wavelength range), please add suffix -007 to the model name. Example: TSF2-IR-M-007.

- Built-in Fiber media converter or Ethernet over Coaxial converter available upon request.

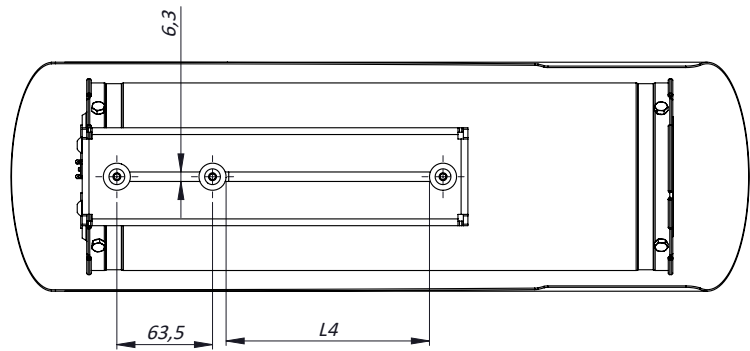
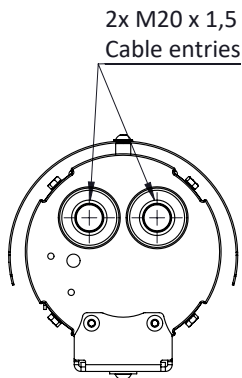
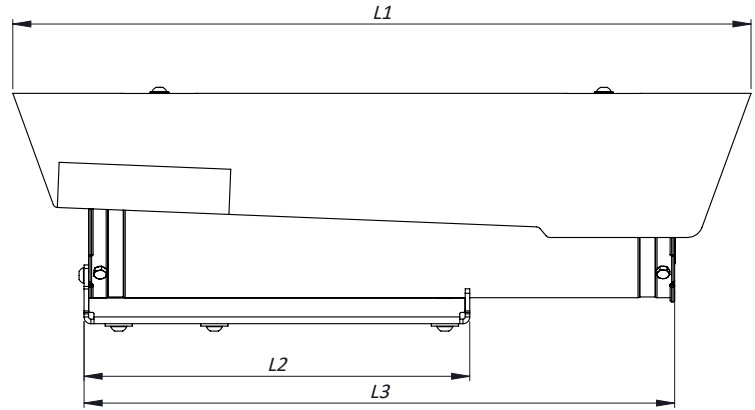
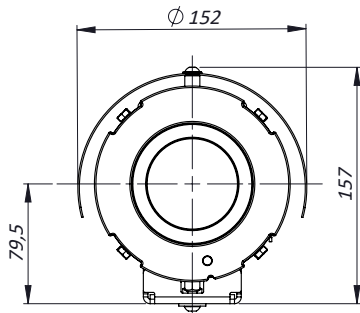
PRE-ASSEMBLED CABLE TAILS

SAUCCT3-A	3 meters composite cable tail (power, CAT6A, data) with two M20 nickel-plated brass glands.
SAUCCTF3-C	3 meters composite cable tail (power, data, fiber optic) with two M20 nickel-plated brass glands. Fiber termination: SC.
SAUCCT5-A	5 meters composite cable tail (power, CAT6A, data) with two M20 nickel-plated brass glands.
SAUCCTF5-C	5 meters composite cable tail (power, data, fiber optic) with two M20 nickel-plated brass glands. Fiber termination: SC.
SAUCCT10-A	10 meters composite cable tail (power, CAT6A, data) with two M20 nickel-plated brass glands.
SAUCCTF10-C	10 meters composite cable tail (power, data, fiber optic) with two M20 nickel-plated brass glands. Fiber termination: SC.

ACCESSORIES

SSBK-S	Wall mounting bracket
SSPM-S	Pole mount adapter for SSBK-S
SSPTM-S	Top pole mount adapter
SSBKCLN-S	Ceiling mounting bracket

DIMENSIONS



MAX EXTERNAL LENGTH

Model	L1 [mm]	L2 [mm]	L3 [mm]	L4 [mm]
TSFIR-M	490	256	392	135
TSFIR-L	590	356	492	235

MAX INTERNAL USABLE AREA

Model	Max internal dimensions [mm]	Max usable internal diameter [mm]
TSFIR-M	80x80x250	96
TSFIR-L	80x80x350	96

Dimensions in millimetres – Tolerances according QMS – Design and products specifications subject to change without notice – rev. 20240515