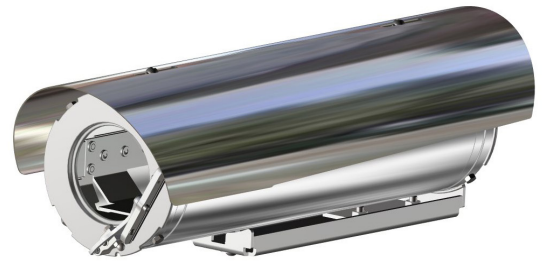


- **INNOVATIVE PRODUCT, BEST IN CLASS TECHNOLOGY**
- AISI316L STAINLESS STEEL CONSTRUCTION
- OPTIONAL WINDOW WIPER
- IP66/67/68/69, NEMA 4X
- OPTIONAL BUILT-IN FIBER MEDIA CONVERTER
- OPTIONAL BUILT-IN IP OVER COAXIAL CONVERTER
- OPTIONAL BUILT-IN 120VAC OR 230VAC POWER SUPPLY



## TECHNICAL SPECIFICATIONS

### GENERAL & MECHANICAL

<b>Dimensions</b>	See dimensions drawings
<b>Operating Temperature</b>	-60° +60°C, +75°C peak (-76°F +140°F, +167°F peak)
<b>Construction</b>	AISI316L Stainless Steel
<b>Finish</b>	Electro-polished
<b>Mounting</b>	2x M6, centre to centre 63.5mm
<b>Cable entries</b>	2x M20 x1,5, nickel plated brass cable glands included
<b>Wiper</b>	Optional
<b>Weight</b>	Unit: 5 Kg / Package: 6.5 Kg (version with wiper)

### ELECTRICAL

<b>Temperature Climatization</b>	T[°C] ON = 12 ± 4°C, T[°C] OFF = 20 ± 3°C
<b>Available voltages</b>	24VAC, 120VAC, 230VAC (+/-10%) 24VDC or PoE available on request
<b>Power consumption</b>	40W MAX

### CERTIFICATIONS

<b>Ingress Protection</b>	EEN 60529 (IP66/IP67/IP68/IP69), NEMA 4X
<b>Vibrations and Shock</b>	EN/IEC 60068-2-6; EN/IEC 60068-2-27; DNV-CG-0339
<b>EMC</b>	EN 55035; EN/IEC 61000-6-4; EN/IEC 61000-3-2; EN/IEC 61000-3-3; EN/IEC 61000-6-2; CISPR-32; CISPR-35; DNV-CG-0339
<b>LVD</b>	EN/IEC 62368-1
<b>FCC</b>	FCC part 15B
<b>RoHS</b>	2011/65/EU + 2015/863/EU (RoHS 3)
<b>WEEE</b>	2012/19/EU

### FIBER MEDIA CONVERTER

<b>Interface</b>	100 Base-FX/1000BASE-X
<b>Cabling</b>	Singlemode (9/125 μm) /two fibers/SC connector
<b>Maximum Distance</b>	20km
<b>Wavelength</b>	1310 nm

### IP OVER COAXIAL CONVERTER

<b>Interface</b>	10/100 Base-TX over Coaxial Cable
<b>Bandwidth</b>	Up to 95Mbps downlink/uplink
<b>Maximum Distance</b>	1800m
<b>Technology</b>	Broadband over Power Lines (BPL)
<b>Interference Prevention</b>	IEEE 1901-2010 Inter-System Protocol ISP

### MODELS

<b>TSF2-M</b>	New Generation stainless steel camera housing, MEDIUM size, 120VAC
<b>TSF3-M</b>	New Generation stainless steel camera housing, MEDIUM size, 230VAC
<b>TSF6-M</b>	New Generation stainless steel camera housing, MEDIUM size, 24VAC/DC
<b>TSF2W-L</b>	New Generation stainless steel camera housing, LONG size, wiper, telemetry receiver and power supply 120VAC
<b>TSF3W-L</b>	New Generation stainless steel camera housing, LONG size, wiper, telemetry receiver and power supply 230VAC
<b>TSF1W-L</b>	New Generation stainless steel camera housing, LONG size, wiper and telemetry receiver, 24VAC

- All the above models include sunshield and heater  
- Built-in Fiber media converter or Ethernet over Coaxial converter available upon request

### PRE-ASSEMBLED CABLE TAILS

<b>SAUCT3-A</b>	3 meters composite cable tail (power, CAT6A, data) with two M20 nickel-plated brass glands. For FIXED camera
<b>SAUCTF3-C</b>	3 meters composite cable tail (power, data, fiber optic) with two M20 nickel-plated brass glands. Fiber termination: SC. For FIXED camera
<b>SAUCT5-A</b>	5 meters composite cable tail (power, CAT6A, data) with two M20 nickel-plated brass glands. For FIXED camera
<b>SAUCTF5-C</b>	5 meters composite cable tail (power, data, fiber optic) with two M20 nickel-plated brass glands. Fiber termination: SC. For FIXED camera

## INNOVATIVE STAINLESS STEEL CAMERA HOUSING

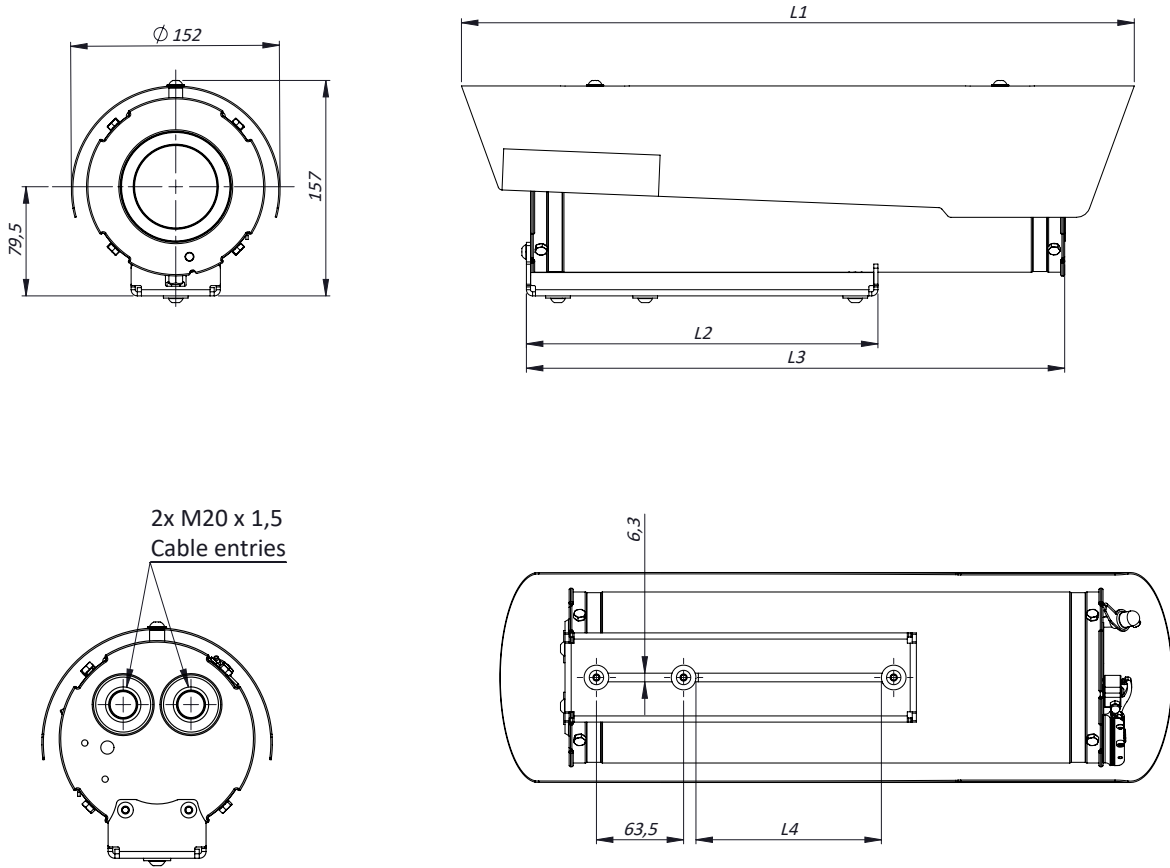
<b>SAUCCT10-A</b>	10 meters composite cable tail (power, CAT6A, data) with two M20 nickel-plated brass glands. For FIXED camera
<b>SAUCCTF10-C</b>	10 meters composite cable tail (power, data, fiber optic) with two M20 nickel-plated brass glands. Fiber termination: SC. For FIXED camera

### ACCESSORIES

<b>SSBK-S</b>	Wall mounting bracket
<b>SSPM-S</b>	Pole mount adapter for SSBK-S
<b>SSPTM-S</b>	Top pole mount adapter
<b>SSBKCLN-S</b>	Ceiling mounting bracket

INNOVATIVE STAINLESS STEEL CAMERA HOUSING

DIMENSIONS



**MAX EXTERNAL LENGTH**

Model	L1 [mm]	L2 [mm]	L3 [mm]	L4 [mm]
TSF-M	490	256	392	135
TSFW-L	590	356	513	235

**MAX INTERNAL USABLE AREA**

Model	Max internal dimensions [mm]	Max usable internal diameter [mm]
TSFW-M	80x80x190	96
TSFW-L	80x80x290	96
TSF-M	80x80x250	96
TSF-L	80x80x350	96

Dimensions in millimetres – Tolerances according QMS – Design and products specifications subject to change without notice – rev. 20231115

[www.movitherm.com](http://www.movitherm.com)

173 Technology Drive STE 150, Irvine, CA 92618 | (949) 699-6600 | [info@movitherm.com](mailto:info@movitherm.com)