

INNO AIR COOLED FIXED

INNOVATIVE AIR COOLED CAMERA HOUSING

SAFE AREA

- **INNOVATIVE PRODUCT, BEST IN CLASS TECHNOLOGY**
- AISI316L STAINLESS STEEL CONSTRUCTION
- AIR COOLING SYSTEM (VORTEX TUBE)
- IP66/67
- FOR USE IN HIGHLY CORROSIVE ENVIRONMENTS
- SUITABLE FOR ANALOG AND IP CAMERAS
- VISIBLE DAY/NIGHT AND THERMAL VERSIONS AVAILABLE



TECHNICAL SPECIFICATIONS

GENERAL & MECHANICAL

Dimensions	See dimensions drawings
Operating Temperature	Up to 100°C/212° F (visible), up to 80°C/176°F (thermal)
Construction	AISI316L Stainless Steel
Finish	Electro-polished
Window	Borosilicate (visible), Germanium Ø 75mm (thermal) AR/DLC coated
Mounting	2x M6, centre to centre 63.5mm
Cable entries	2x M20 x1,5, nickel plated brass cable glands included
Wiper	Front window air jet
Weight	Unit: 5 Kg / Package: 6.5 Kg

CERTIFICATIONS

Ingress Protection	EN 60529 (IP66/IP67)
RoHS	2011/65/EU + 2015/863/EU (RoHS 3)
WEEE	2012/19/EU

MODELS

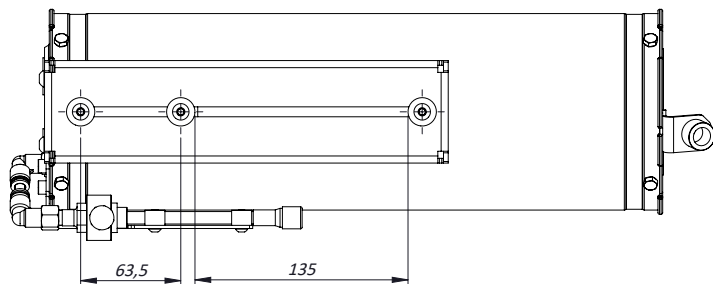
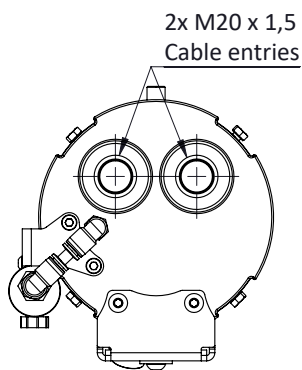
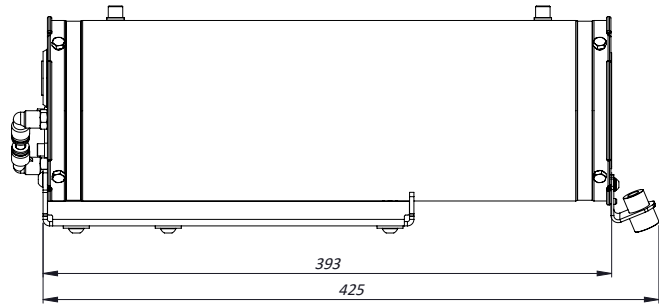
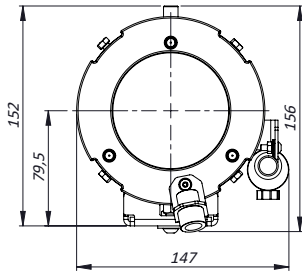
TSF-AC	New Generation AIR COOLED camera housing with Borosilicate (Borofloat®) window, for applications up to 100°C (212°F)
TSF-AC-IR	New Generation AIR COOLED camera housing with Germanium window, for applications up to 80°C (176°F)

For higher temperatures, use the 129LC Liquid-cooled series.

ACCESSORIES

SSBK-S	Wall mounting bracket
SSBKCLN-S	Ceiling mounting bracket
SSPM-S	Pole mount adapter for SSBK-S
SSPTM-S	Pole TOP mount adapter
ABFL-01	Air filtering group of three filters: 20 µm, 5 µm, 0.1µm in cascade, with pressure regulator, pressure gauge and wall fixing bracket

DIMENSIONS



MAX EXTERNAL LENGTH

Model	L1 [mm]	L2 [mm]	L3 [mm]	L4 [mm]
TSF-AC/TSF-AC-IR	490	256	392	135

MAX INTERNAL USABLE AREA

Model	Max internal dimensions [mm]	Max usable internal diameter [mm]
TSF-AC/TSF-AC-IR	80x80x250	96