

- LIQUID COOLING SYSTEM
- WINDOW AIR BARRIER FOR COOLING/CLEANING
- AISI316L STAINLESS STEEL CONSTRUCTION
- FOR USE IN HIGHLY CORROSIVE ENVIRONMENTS
- EASY INSTALLATION AND MAINTENANCE
- WEATHERPROOF STANDARD IP66/IP67
- SUITABLE FOR ANALOG AND IP CAMERAS
- VISIBLE DAY/NIGHT AND THERMAL VERSIONS AVAILABLE



TECHNICAL SPECIFICATIONS

GENERAL & MECHANICAL

Dimensions	See drawings next page
Operating Temperature	See "Temperature" section
Cooling system	Liquid cooling (main system), window air barrier (window cooling)
Construction	AISI316L Stainless Steel
Finish	Electro-polished
Window	Borosilicate (visible), Zinc Selenide or Germanium AR/DLC coated (thermal)
Mounting	See drawings next page
Cable entries	2 M20x1,5 threaded holes. Cable glands not included
Wiper	Window air barrier
Weight	Unit: 13kg / Package: 14kg

TEMPERATURE

Borosilicate glass window (housing model 129LC)

Temperature [°C]		Temperature [°F]	
External	Internal	External	Internal
200	23	392	74
300	33	572	92
400	45	752	113

Germanium window (housing model 129LCIRG70)

Temperature [°C]		Temperature [°F]	
External	Internal	External	Internal
80	15	176	59

Zinc Selenide window (housing model 129LCIRZ70)

Temperature [°C]		Temperature [°F]	
External	Internal	External	Internal
200	23	392	74
300	33	572	92

Temperatures may differ depending on environmental factors, water flow/temperature and air flow.
Internal tests performed using ~6 l/min [~1,59 US gal/min] water flow and ~6 bar air pressure in front air barrier

CERTIFICATIONS

Ingress Protection(EN 60529)	IP66/IP67
RoHS	2011/65/EU + 2015/863/EU (RoHS 3)
WEEE	2012/19/EU

MODELS

129LC¹	LIQUID-COOLED camera housing, MEDIUM size, Borosilicate (Borofloat®) front window, for applications up to 300°C (572°F) with peaks of 400°C (752°F)
129LCIRG70²	LIQUID-COOLED camera housing, MEDIUM size, Germanium window Ø: 70mm, for applications up to 80°C (176°F)
129LCIRZ70³	LIQUID-COOLED camera housing, MEDIUM size, Zinc-Selenide window Ø: 70mm, for applications up to 300°C (572°F) with peaks of 400°C (752°F)
¹	Thickness: 5 mm
²	Thickness: 3 mm. Germanium, AR/DLC coating.
³	Thickness: 5 mm. Zinc Selenide with AR/AR coating

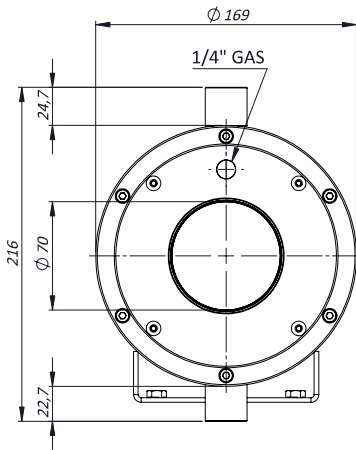
ACCESSORIES

SSBK-M	Wall mounting bracket
SSPM-M	Pole mount adapter for SSBK-M
ABFL-01	Air filtering group of three filters: 20 µm, 5 µm, 0.1µm in cascade, with pressure regulator, pressure gauge and wall fixing bracket.

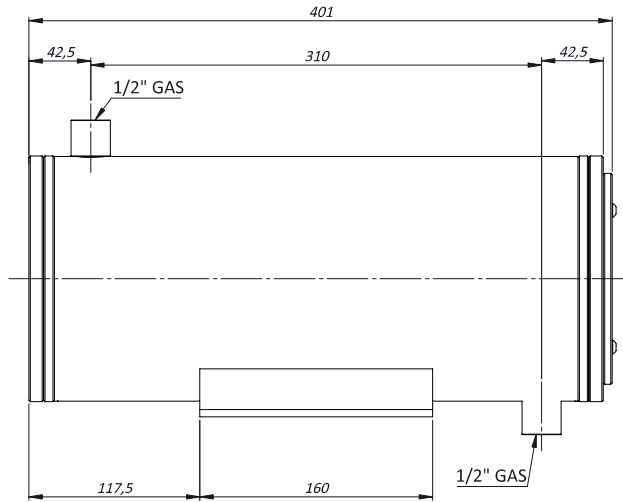
LIQUID COOLED CAMERA HOUSING

DIMENSIONS

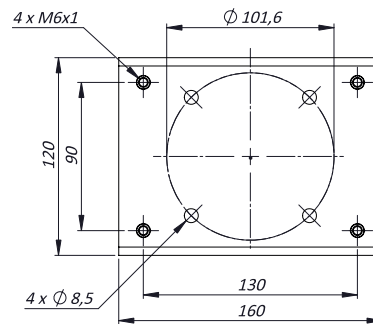
FRONT VIEW



SIDE VIEW



MOUNTING PATTERN



MAX EXTERNAL LENGTH

Model	L1 [mm]	L2 [mm]
129LC	401	\
129LCIRG70	401	\
129LCIRZ70	401	\

MAX INTERNAL USABLE AREA

Model	Max internal dimensions [mm]	Max usable internal diameter [mm]
129LC/129LCIR	88x84x305	104

Dimensions in millimetres – Tolerances according QMS – Design and products specifications subject to change without notice – rev. 20230522