

Fixed Housing for FLIR FLIR A35/A65

Workswell Fixed Housing is specially designed and manufactured for simple and durable FLIR A5, A15, A35 and A65 camera protection. Workswell Fixed Housing offers effective protection against dust and water jets in harsh environment.

Workswell Fixed Housing system is milled from lightweight metal materials. Complete housing is divided to three independent parts. Front part covers camera lens using high transmittance infrared glasses with sealing rings. End user can select from 3 types of IR glasses – Coated Germanium, ZnSe or BaF2 glass. All glasses are easily and fast interchangeable with special fixing tool.

The central part protects camera body and includes mounting holes for mechanical fixing. The central part is also optimized for maximum heat dissipation from camera electronics. For this reason is thermal measurement stable even at high operational temperature fluctuations.

The rear part protects camera connectors. End user can select from pre-drilled holes for cable glands or non-drilled version for user definable cable gland position.



Characteristics

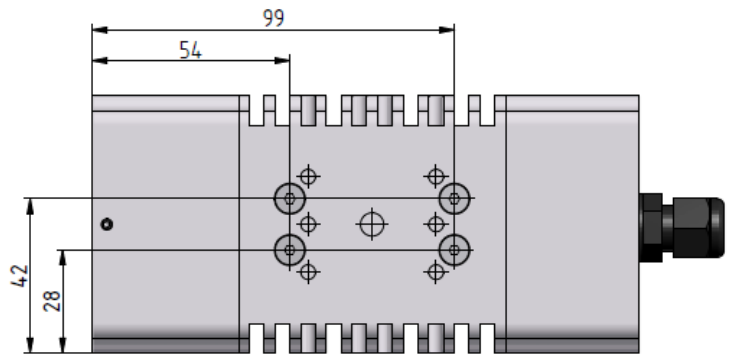
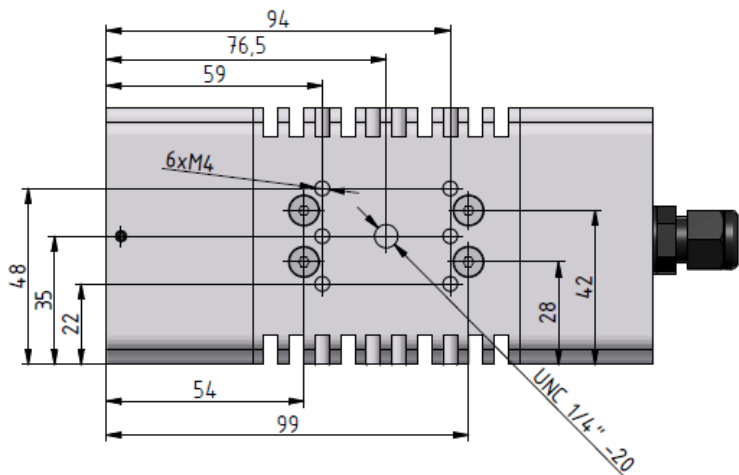
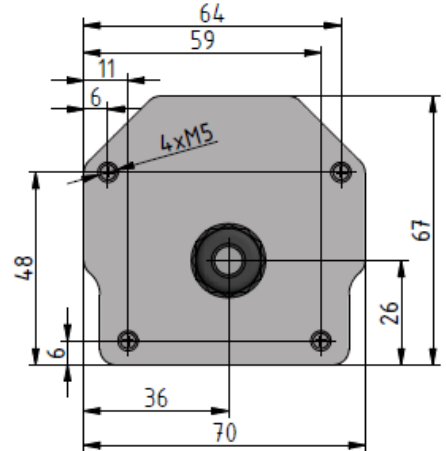
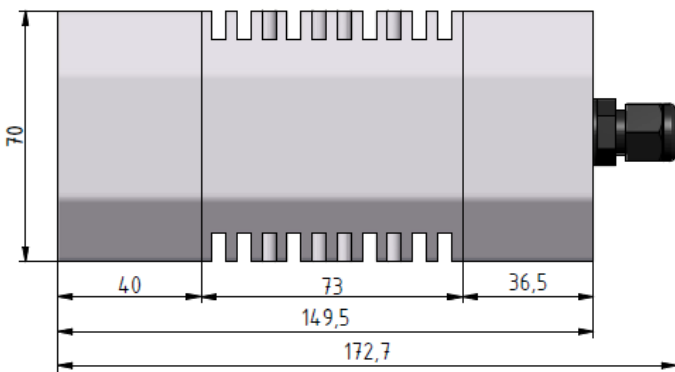
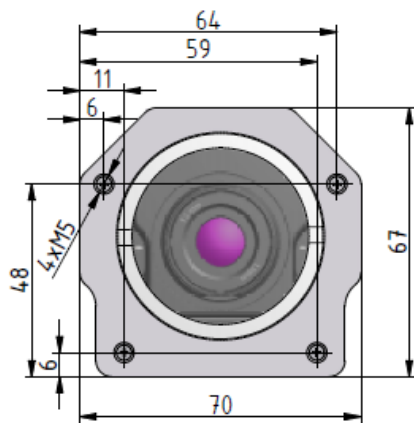
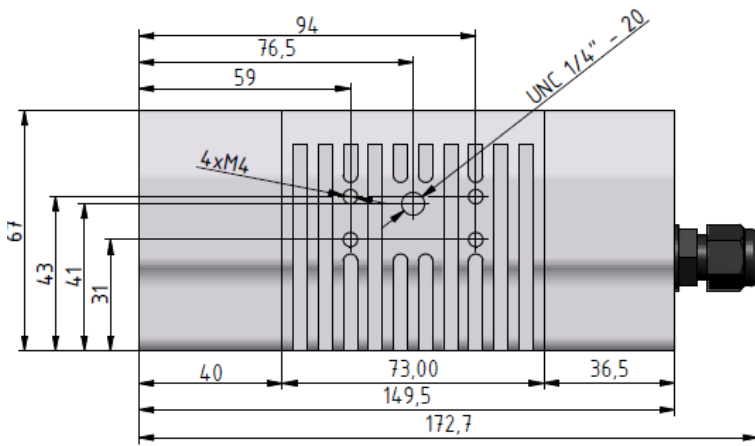
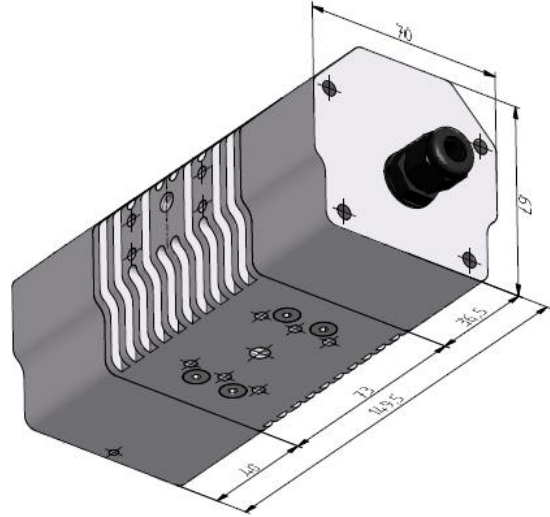
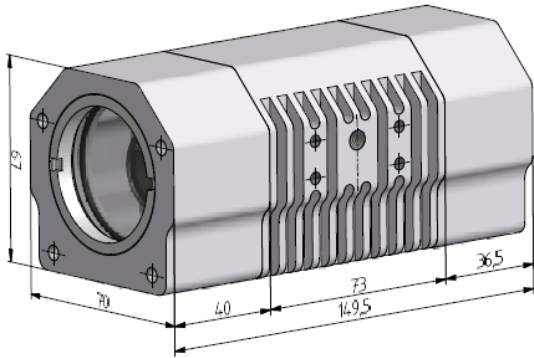
Housing Material	Metal aluminium
Front IR glass	Coated Germanium, ZnSe or BaF2
Cable glands	2 x IP68 metal cable glands
Camera compatibility	FLIR A5, A15, A35 and A65
Internal protection	IP66
Fixing system	On left, right and bottom side
Fixing threads	3 x UNC 1/4", 14 x M4
Housing Color	Black (different colors on request)
Housing Dimensions	145 x 70 x 67 mm
Weight	< 650 g

Features

- Durable metal body
- Compatible with all FLIR Ax5 cameras
- IR glass simply interchangeable by the user
- 3 different IR glass types
- UNC and metric threads for easy fixing
- 2 x metal IP68 Cable glands
- 3 sides on-body fixing system
- Passive cooling system
- IP66 protection
- Optional Air curtain and heating plate system
- Cost effective solution



Mechanical drawings

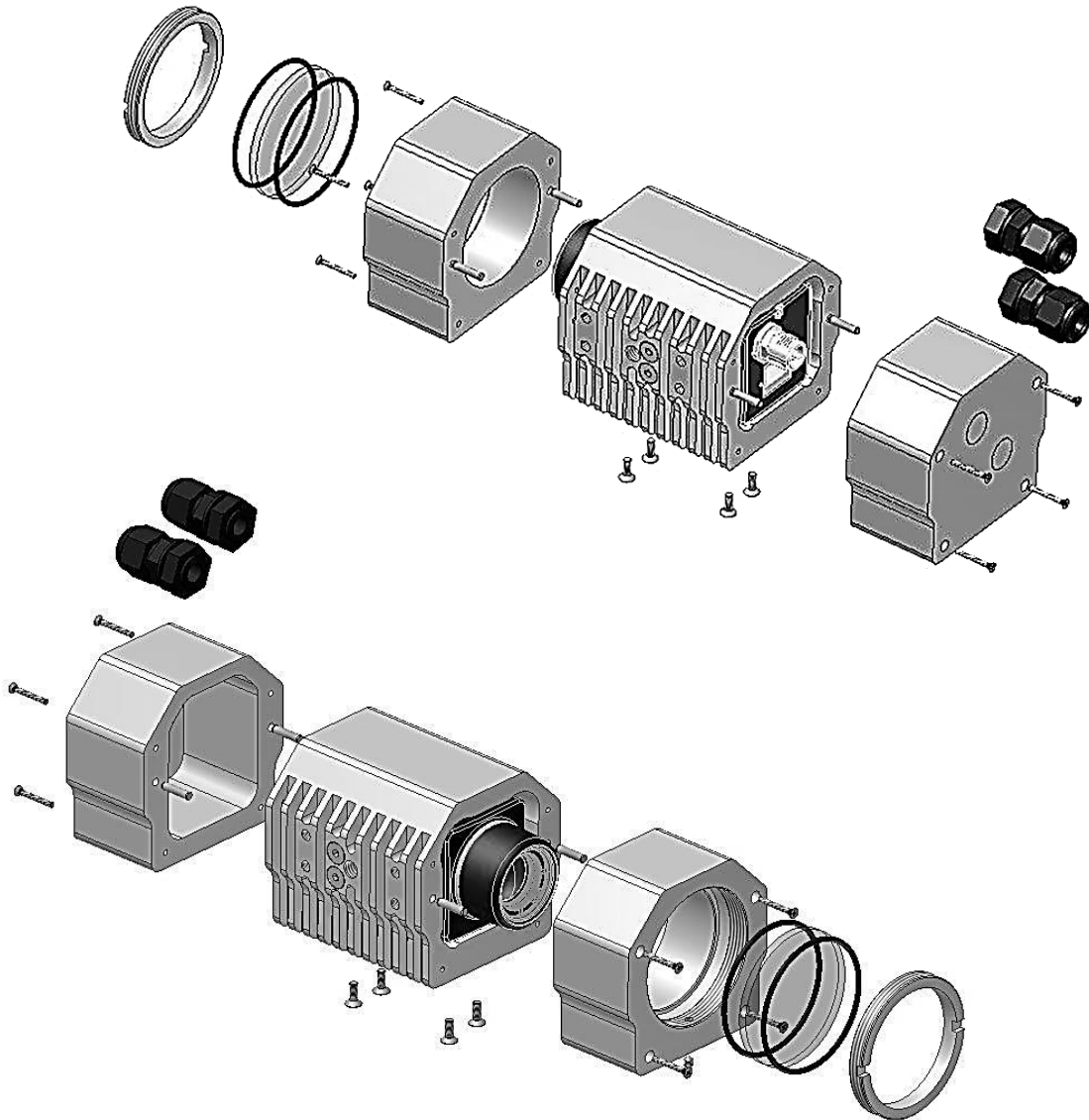


Visit us @ www.movitherm.com

173 Technology Drive STE 150, Irvine, CA 92618 | (949) 699-6600 | info@movitherm.com

moviTherm
advanced thermography solutions

Mechanical drawings – with Ax5 camera inside



Visit us @ www.movitherm.com

173 Technology Drive STE 150, Irvine, CA 92618 | (949) 699-6600 | info@movitherm.com

moviTherm
advanced thermography solutions



Product Overview and Housing Models

Housing models

Housing model	Ordering Code
Metal Aluminium, Black, IP66, Germanium glass 50mm, cable glands	WFH-ax5-001
Metal Aluminium, Black, IP66, ZnSe glass 50 mm, cable glands	WFH-ax5-003
Metal Aluminium, Black, IP66, BaF2 glass 50 mm, cable glands	WFH-ax5-005

Interchangeable IR glasses

Product	Ordering Code
Germanium glass with coating, 50 mm	G-WFH-ax5-001
ZnSe glass with coating, 50 mm	G-WFH-ax5-002
BaF2 glass with coating, 50 mm	G-WFH-ax5-003

Accessories

Product	Ordering Code
Sealing ring for IR glass	A-WFH-ax5-004
Cable gland IP68	A-WFH-ax5-005
Screwdriver kit	A-WFH-ax5-006

Standard Content of Delivery

Workwell Fixed Housing for FLIR A5, A15, A35 and A65 cameras		
Housing with screw set – Front, middle and rear part	1 pc	1 year warranty
2 x sealing rings	1 pc	-
1 x IR glass with coating	1 pc	-
2 x cable glands	1 pc	-