

VSPT250HD-CR SERIES

HEAVY DUTY STAINLESS STEEL PAN & TILT

SAFE AREA

- HEAVY DUTY PAN & TILT
- AISI316L STAINLESS STEEL CONSTRUCTION
- 360° CONTINUOUS ROTATION
- MAXIMUM LOAD 50KG
- SUITABLE FOR THIRD PARTY CAMERA HOUSINGS
- FOR ANALOG/IP CAMERAS
- PRESET POSITIONING



TECHNICAL SPECIFICATIONS

GENERAL & MECHANICAL

Dimensions	See drawings next page
Operating Temperature	-40°C +60°C, peak +75°C (-40°F +140°F, +167°F peak)
Construction	AISI316L Stainless Steel
Finish	Electro-polished
Mounting	4x Ø11 on 220 PCD
Cable entries	2 M25x1,5 cable entry
Pan Angle	360° Continuous Rotation
Pan Speed	Variable 0 – 10°/s
Pan Torque	80 Nm (limited with safety device)
Tilt Angle	180° (+/-90°)
Tilt Speed	Variable 0 – 4°/s
Tilt Torque	80 Nm (limited with safety device)
Rotation angle	Electronically adjustable
Backlash	<0,1°
Max preset accuracy	0.01°
Control protocol	Pelco D (via RS485)
Weight	Unit: 47 Kg -/ Gross weight: 50 kg

ELECTRICAL

Supply voltage	24VAC, 230VAC (+/-10%)
Max power consumption	120W

CERTIFICATIONS

Ingress Protection (EN 60529)	IP66/IP67
EMC	EN 50130-4; EN 55035; EN/IEC 61000-6-2; EN/IEC 61000-6-4
LVD	EN60950-1; EN60950-22
RoHS	2011/65/EU + 2015/863/EU (RoHS 3)
WEEE	2012/19/EU

MODELS

VSPT250HD-CR/24	HEAVY DUTY P&T unit, 24VAC
VSPT250HD-CR/230	HEAVY DUTY P&T unit, 230VAC

Available upon request: Built-in Single Mode Fiber Optic media converter.

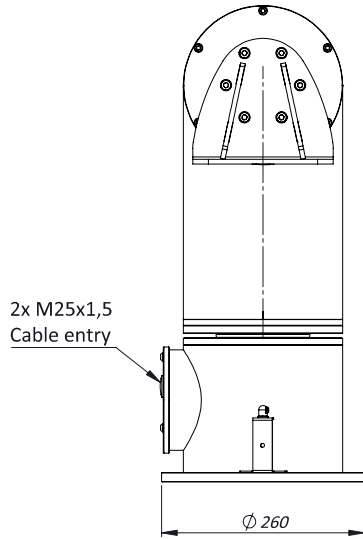
PRE-ASSEMBLED CABLE TAILS

SAUCCT3-A	3 meters composite cable tail (power, CAT6A, data) with two M20 nickel-plated brass glands. For fixed camera.
SAUCCT3-B	3 meters composite cable tail (power, CAT6A, data) with two M25 nickel-plated brass glands. For PTZ camera.
SAUCCT5-A	5 meters composite cable tail (power, CAT6A, data) with two M20 nickel-plated brass glands. For fixed camera.
SAUCCT5-B	5 meters composite cable tail (power, CAT6A, data) with two M25 nickel-plated brass glands. For PTZ camera.
SAUCCT10-A	10 meters composite cable tail (power, CAT6A, data) with two M20 nickel-plated brass glands. For fixed camera.
SAUCCT10-B	10 meters composite cable tail (power, CAT6A, data) with two M25 nickel-plated brass glands. For PTZ camera.

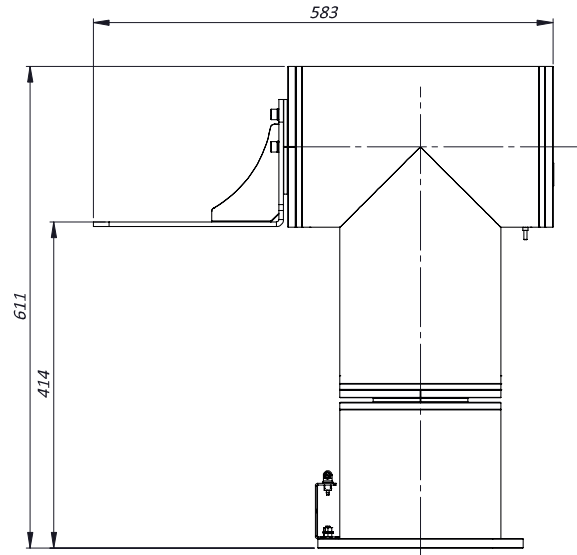
HEAVY DUTY STAINLESS STEEL PAN & TILT

DIMENSIONS

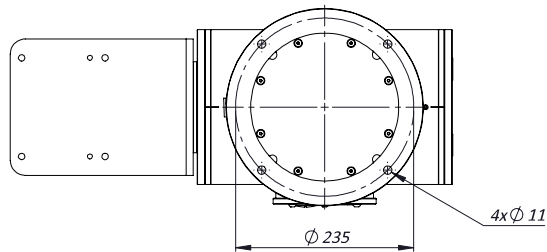
FRONT VIEW



SIDE VIEW



MOUNTING PATTERN



The unit cannot be installed upside-down nor horizontally