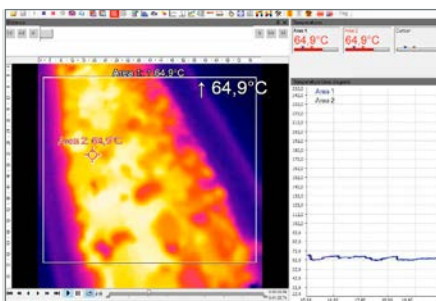


**Compact spot finder
IR camera**



Monitoring conveyor belt - deployment of Xi 80 as an efficient tool for fire safety

Features:

- Industrial imager with 80 x 80 pixels for exact temperature measurement of -20 °C to 900 °C (-4 °F to 1652 °F)
- Small sized rugged camera with motorized focus
- Distance-to-spot-ratio up to 190:1 with sighting capabilities
- Autonomous operation with automatic spot finder and direct analog output – ideal for OEM use
- Optional stackable industrial process interface with up to 9 analog or alarm outputs
- Extensive ready-to-use package for an attractive price – including versatile image processing software and connection cables

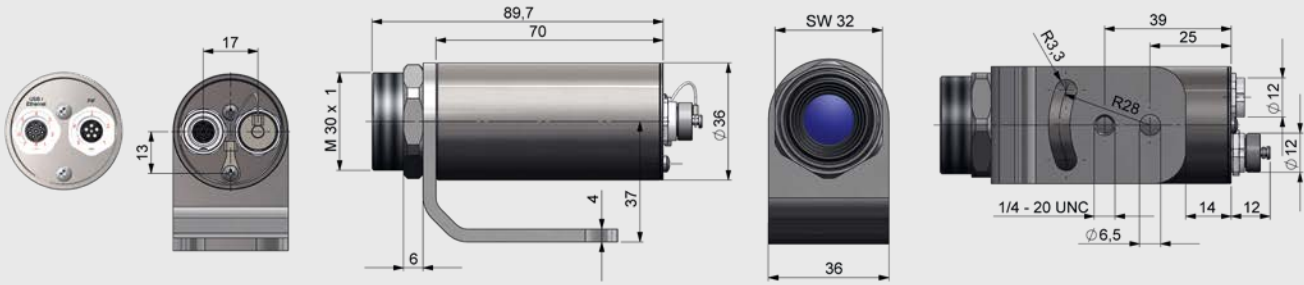
Technical specifications

Optical resolution	80 x 80 pixels
Detector	FPA, uncooled (34 µm x 34 µm)
Spectral range	8 – 14 µm
Temperature ranges	-20 °C ... 100 °C (-4 °F ... 212 °F), 0 °C ... 250 °C (32 °F ... 482 °F), (20 [68]) 150 °C ... 900 °C ¹⁾ (302 °F ... 1652 °F) ¹⁾
Frame rate	50 Hz
Optics (FOV)	12° (f = 12.7 mm [0.50 in]) 30° (f = 5.1 mm [0.20 in]) 55° (f = 3.1 mm [0.12 in]) 80° (f = 2.3 mm [0.09 in])
Focus	Motorized focus
Optical resolution D:S	190:1 (12° optics)
Direct Output/ Input ²⁾	1x analog output (0/4-20 mA) / 1x input (analog or digital); electrically isolated
Thermal sensitivity (NETD) ³⁾	100 mK
Accuracy	±2 °C or ±2% (±3.6 °F or ±2%), whichever is greater
PC interface	USB 2.0 / Ethernet (100 Mbit/s) / PoE / RS 485 ²⁾
Process interface (PIF), industrial	3x analog outputs (0/4–20 mA or 0–10 V) and 3x alarm outputs (relays) / 3x inputs (analog or digital) / fail-safe (LED and relay); stackable up to 3 PIFs; electrically isolated
Cable length (USB)	Ethernet / RS485: 20 m (65.6 ft), (extendable up to 100 m [328.1 ft]) USB: 1 m (3.3 ft) (standard), 3 m (9.8 ft), 5 m (16.4 ft)
Ambient temperature	0 °C to 50 °C (32 °F to 122 °F)
Enclosure (size / rating)	Ø 36 mm x 90 mm (Ø 1.42 in x 3.54 in); (M30x1 thread) / IP 67 (NEMA 4)
Weight (without mounting bracket)	201 - 210 g, (7.1 - 7.4 oz) depending on lens
Shock ³⁾ / Vibration ³⁾	IEC 60068-2-27 (25G and 50G) / IEC 60068-2-6 (sinus shaped), IEC 60068-2-64 (broadband noise)
Power supply	5-30 V DC / PoE / USB
Scope of supply	<ul style="list-style-type: none"> • Process imager Xi • USB cable (1 m [3.3 ft]) • Cable for output/input (1 m) incl. terminal block • Mounting bracket with nut • Software package optris PIX Connect

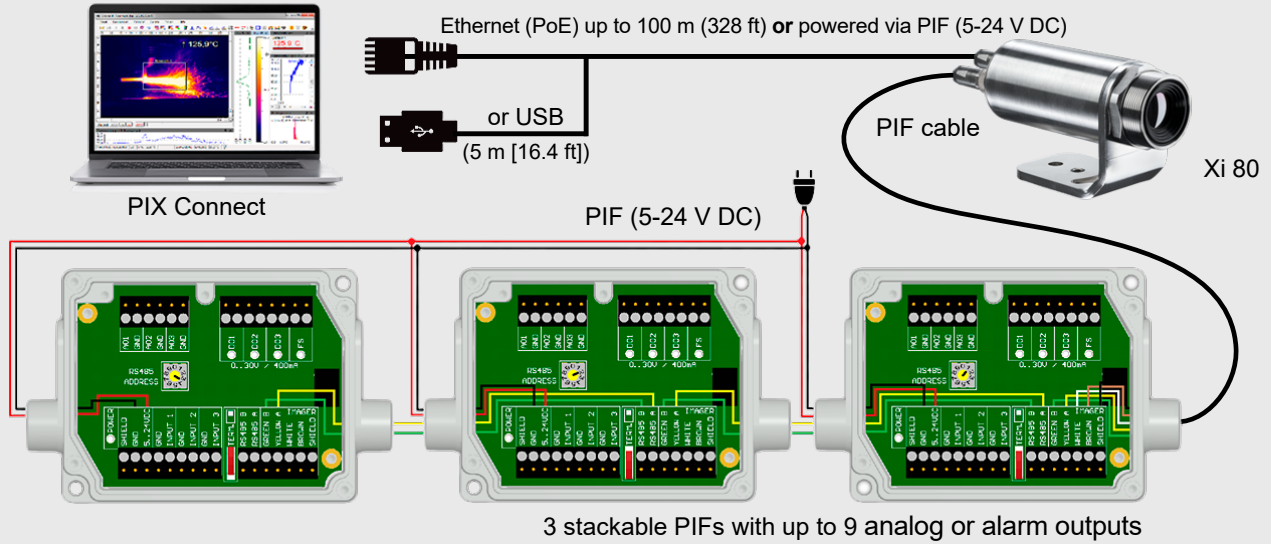
¹⁾ Accuracy statement effective from 150 °C ²⁾ Direct out- and inputs are not available while using the RS485 interface
³⁾ For more details see operator's manual

optris Xi 80

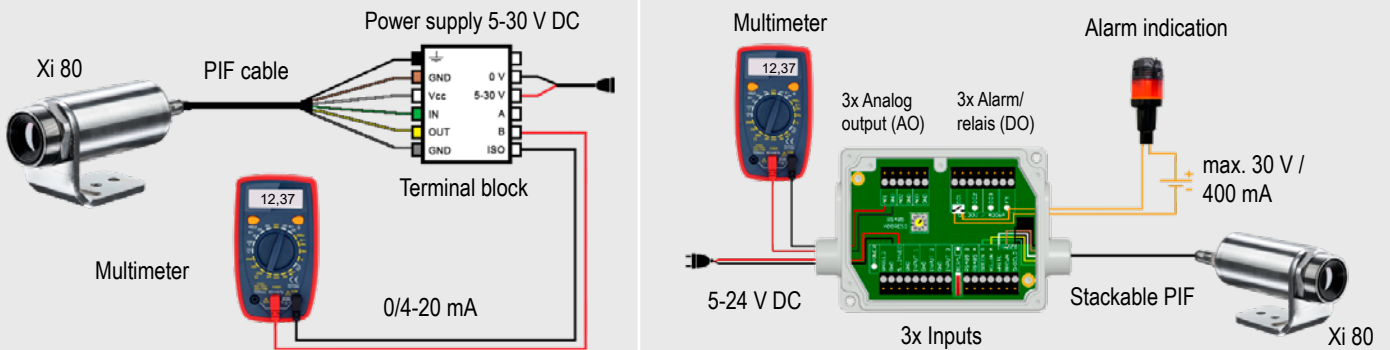
Dimensions in mm (in)



Operation with PIX Connect software and 3 stackable PIFs



Autonomous operation (without PC) with up to 3 analog outputs/ alarm outputs



Accessories

ACXIAPL (Air purge unit) +
ACXIAPLAB (Mounting bracket)



ACXIMW (Water cooled housing)



ACXISCBxx* (Shutter) +
ACXIAPLAB (Mounting bracket)



*) xx = for different cable lengths