

# TECNOVIDEO

CCTV SYSTEMS AND ACCESSORIES

# 129 SERIES

STAINLESS STEEL CAMERA STATION

SAFE AREA

AISI316L STAINLESS STEEL CONSTRUCTION  
FOR USE IN HIGHLY CORROSIVE ENVIRONMENTS  
EASY INSTALLATION AND MAINTENANCE  
INTEGRATED WIPER VERSION AVAILABLE  
WEATHERPROOF STANDARD IP66/IP67  
SUITABLE FOR ANALOG AND IP CAMERAS  
DAY/NIGHT AND IR THERMAL VERSIONS AVAILABLE  
REFINED AND MODERN DESIGN



129WW CAMERA HOUSING WITH SUNSHIELD, HEATER AND WIPER

## TECHNICAL SPECIFICATIONS

### GENERAL & MECHANICAL

<b>Dimensions</b>	See drawings next page
<b>Operating Temperature</b>	-20° +60°C (-4° +140°F)
<b>Construction</b>	AISI316L Stainless Steel
<b>Finish</b>	Electro-polished
<b>Mounting</b>	See drawings next page
<b>Cable entries</b>	2x M20x1,5 nickel plated brass cable glands (included) Standard cable diameter 5-10mm

Weight		
Model	Unit [kg]	Package [kg]
129/129IR	6	7
129-L/129IR-L	6,5	7,5
129SH/129SHIR	7	8
129SH-L/129SHIR-L	8	9
129WW/129WWIR	7	8
129WW-L/129WWIR-L	8	9
129AB/129ABIR70	7	8

### ELECTRICAL

<b>Thermostatically controlled heater</b>	
<b>T[°C] ON = 12 ± 4°C, T[°C] OFF = 20 ± 3°C</b>	
<b>Available voltages</b>	24VUC (24V~/V=), 230V~ (+/-10%)
<b>Power consumption</b>	10W

<b>Wiper</b>	
<b>Available voltages</b>	24V~, 230V~, 24V= (+/-10%)
<b>Power consumption</b>	6W (24V~, 230V~) 4W (24V=)

### CERTIFICATIONS

<b>Ingress Protection(EN 60529)</b>	IP66/IP67 for all models IP68 for models without wiper
<b>EMC</b>	EN 61000-6-3:2007; EN 50130-4:1995 + A1:1998 + A2:2003
<b>LVD</b>	EN 60950-1:2006 + A11:2009
<b>RoHS</b>	2011/65/EU
<b>WEEE</b>	2012/19/EU

### MODELS

129 <sup>1</sup>	Housing
129SH/24 <sup>1</sup>	Housing + sunshield + heater. Supply voltage: 24VUC
129WW/24 <sup>2*</sup>	Housing + sunshield + heater + integrated wiper. 24V~
129WW/24D <sup>3*</sup>	Housing + sunshield + heater + integrated wiper. 24V=
129AB <sup>3**</sup>	Housing + air barrier front flange
129IR50 <sup>4</sup>	Housing. UW: 50
129SHIR50/24 <sup>4</sup>	Housing + sunshield + heater. Supply voltage: 24VUC. UW: 50
129WWIR50/24 <sup>4*</sup>	Housing + sunshield + heater + integrated wiper. 24V~. UW: 50
129WWIR50/24D <sup>4*</sup>	Housing + sunshield + heater + integrated wiper. 24V=. UW: 50
129IR70 <sup>4</sup>	Housing. UW: 70
129SHIR70/24 <sup>4</sup>	Housing + sunshield + heater. Supply voltage: 24VUC. UW: 70
129WWIR70/24 <sup>4*</sup>	Housing + sunshield + heater + integrated wiper. 24V~. UW: 70
129WWIR70/24D <sup>4*</sup>	Housing + sunshield + heater + integrated wiper. 24V=. UW: 70
129ABIR70 <sup>5*</sup>	Housing + air barrier front flange. UW: 70

All the above models are 360mm long. Suffix /230 is used for 230V~ models.  
Suffix -L is used for 460mm long models. Suffix -S is used for 260mm short models.

- <sup>1</sup> Usable front window diameter: 90mm, thickness: 5mm
- <sup>2</sup> Usable front window diameter: 72mm, thickness: 12mm. Tempered glass
- <sup>3</sup> Usable front window diameter: 70mm, thickness: 5mm. Tempered glass
- <sup>4</sup> UW= Usable front window diameter. Thickness: 2mm. Germanium, AR/DLC coating
- <sup>5</sup> UW= Usable front window diameter. Thickness: 3mm. Germanium, AR/DLC coating
- \* 460mm long version is not available.
- <sup>†</sup> 260mm short version is not available.

### MOUNTING ACCESSORIES

<b>SSBK129</b>	Wall mounting bracket with swivel joint for 129 Series
<b>SSBK129CLN</b>	Ceiling mounting bracket with swivel joint for 129 Series
<b>SSPM129</b>	Pole mount adapter for SSBK129
<b>SSPTM129</b>	Pole top mount adapter for 129 Series
<b>SSCM129</b>	Corner mount adapter for SSBK129

### ACCESSORIES AND SPARE PARTS

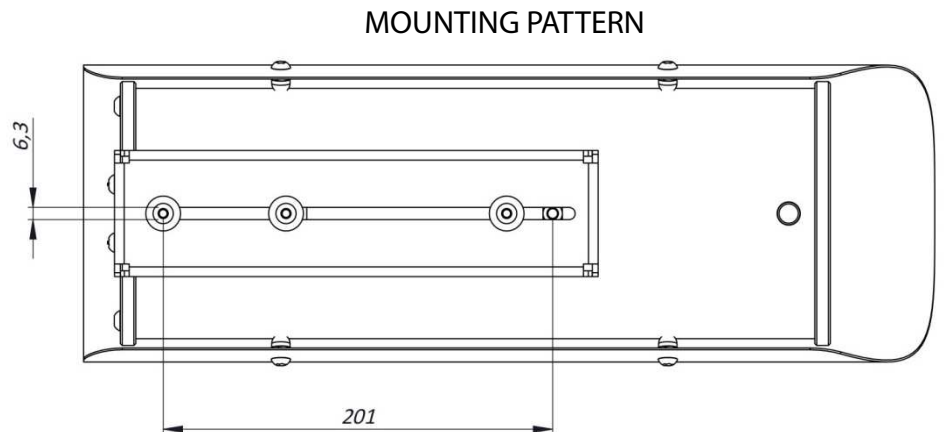
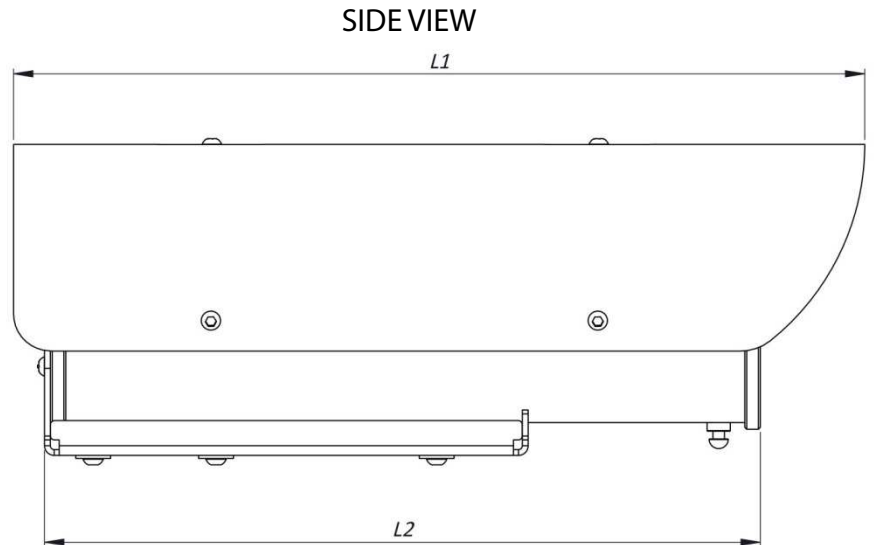
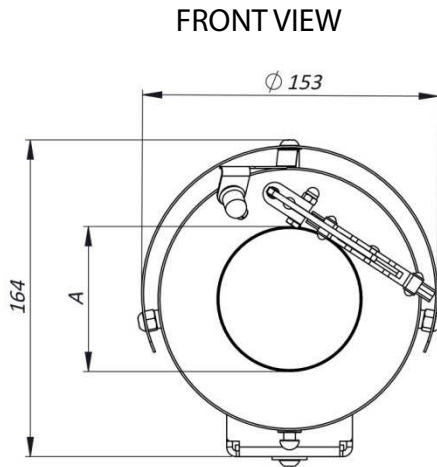
<b>RX24IO</b>	Telemetry receiver for fixed wash/wiper housings
<b>WB129</b>	Wiper blade (complete assembly)
<b>WBK129</b>	Wiper blade (only spare part: rubber blade and support)
<b>ABFL-01</b>	Air filtering group of three filters: 20 µm, 5 µm, 0.1 µm in cascade, with pressure regulator, pressure gauge and wall fixing bracket
<b>HK129/24</b>	10W heater kit (24VUC)
<b>HK129/230</b>	10W heater kit (230V~)
<b>MK129</b>	Maintenance kit with O-ring seals, screws seals, screws, hex keys, desiccant bags

[www.tecnovideoctv.com](http://www.tecnovideoctv.com)

Tecnovideo S.r.l. - Via San L. Murialdo, 8 36030 Villaverla (VI) ITALY - Tel. +39.0445.350444 - [info@tecnovideoctv.com](mailto:info@tecnovideoctv.com)

## STAINLESS STEEL CAMERA STATION

### DIMENSIONS



FOR "A" VALUES CHECK "MODELS" SECTION

Your authorized TECNOVIDEO distributor:

**MOVITHERM**  
advanced thermography solutions

15540 Rockfield Blvd, Suite C-110  
Irvine, CA 92618

Phone: (949) 699-6600

Email: [info@movitherm.com](mailto:info@movitherm.com)

<http://www.movitherm.com>

#### MAX EXTERNAL LENGTH

Model	L1 [mm]	L2 [mm]
129SH/129SHIR	440	375
129SH-L/129SHIR-L	540	475
129WW/129WWIR	440	375
129WW-L/129WWIR-L	540	475
129AB/129ABIR70	440	395

#### MAX INTERNAL USABLE AREA

Model	Max internal dimensions [mm]	Max usable internal diameter [mm]
129/129AB/129ABIR/129SH/129SHIR	80x80x260	96
129SH-L/129SHIR-L	80x80x360	96
129WW/129WWIR	80x80x207	86
129WW-L/129WWIR-L	80x80x307	86