

# TECNOVIDEO

CCTV SYSTEMS AND ACCESSORIES

## EXPT SERIES

STAINLESS STEEL PAN & TILT UNIT



HAZARDOUS AREA

AISI316L STAINLESS STEEL CONSTRUCTION  
FOR USE IN HIGHLY CORROSIVE ENVIRONMENTS  
EASY INSTALLATION AND MAINTENANCE  
MAXIMUM LOAD 25 KG  
WEATHERPROOF STANDARD IP66/IP67  
SUITABLE FOR THIRD PARTY CAMERA HOUSINGS



EXPT PAN & TILT UNIT

### TECHNICAL SPECIFICATIONS

#### GENERAL & MECHANICAL

<b>Dimensions</b>	See drawings next page
<b>Operating Temperature</b>	-20° +60°C (-4° +140° F)
<b>Construction</b>	AISI316L Stainless Steel
<b>Finish</b>	Electro-polished
<b>Mounting</b>	4x M8 on 101,6 PCD
<b>Cable entries</b>	2 M20x1,5 cable entry
<b>Pan Angle</b>	350° (+/-175°)
<b>Pan Speed</b>	0 – 36°/second
<b>Pan Torque</b>	80 Nm
<b>Tilt Angle</b>	180° (+/-90°)
<b>Tilt Speed</b>	0 – 18°/second
<b>Tilt Torque</b>	107 Nm
<b>Rotation angle</b>	Electronically adjustable
<b>Backlash</b>	<0,1°
<b>Max preset accuracy</b>	0,5°
<b>Maximum load</b>	25 kg
<b>Control protocol</b>	Pelco D (via RS485)
<b>Weight</b>	
<b>Model</b>	<b>Unit [kg]</b> <b>Package [kg]</b>
EXPT	29            30

#### ELECTRICAL

<b>Supply voltage</b>	24V~ (+/-10%)
<b>Power consumption</b>	70W

#### CERTIFICATIONS

<b>Ingress Protection Rating</b>	EN 60529 (IP66/IP67) ⓂII 2 G Ex db op pr IIC T6 Gb -40°C ≤ Tamb ≤ +60°C ⓂII 2 D Ex tb IIIC T85°C Db -40°C ≤ Tamb ≤ +60°C IP66/IP67 ⓂII 2 G Ex db op pr IIB T5 Gb -40°C ≤ Tamb ≤ +75°C ⓂII 2 D Ex tb IIIC T100°C Db -40°C ≤ Tamb ≤ +75°C IP66/IP67
<b>ATEX Standards</b>	EN 60079-0:2012; EN 60079-1:2014; EN 60079-28:2015; EN 60079-31:2014
<b>IECEX Standards</b>	IEC 60079-0:2011; IEC 60079-1:2014-06; IEC 60079-28:2015; IEC 60079-31:2013
<b>EMC</b>	EN 61000-6-3:2007; EN 50130-4:1995 + A1:1998 + A2:2003
<b>LVD</b>	EN 60950-1:2006 + A11:2009
<b>RoHS</b>	2011/65/EU
<b>WEEE</b>	2012/19/EU

#### MODELS

<b>EXPT</b>	Standalone Pan & Tilt unit
-------------	----------------------------

#### PRE-ASSEMBLED CONDUIT TAILS

<b>EXCT20AN3</b>	3 metres 20 mm conduit tail analog + 2 M20 brass glands
<b>EXCT20AN5</b>	5 metres 20 mm conduit tail analog + 2 M20 brass glands
<b>EXCT20AN10</b>	10 metres 20 mm conduit tail analog + 2 M20 brass glands

#### MOUNTING ACCESSORIES

<b>EXSSBKPT</b>	Wall mounting bracket
-----------------	-----------------------

#### ACCESSORIES AND SPARE PARTS

<b>RX250DC</b>	Telemetry controller for EXPT
----------------	-------------------------------

Your authorized distributor:

**MOVITHERM**  
advanced thermography solutions

15540 Rockfield Blvd, Suite C-110  
Irvine, CA 92618

Phone: (949) 699-6600

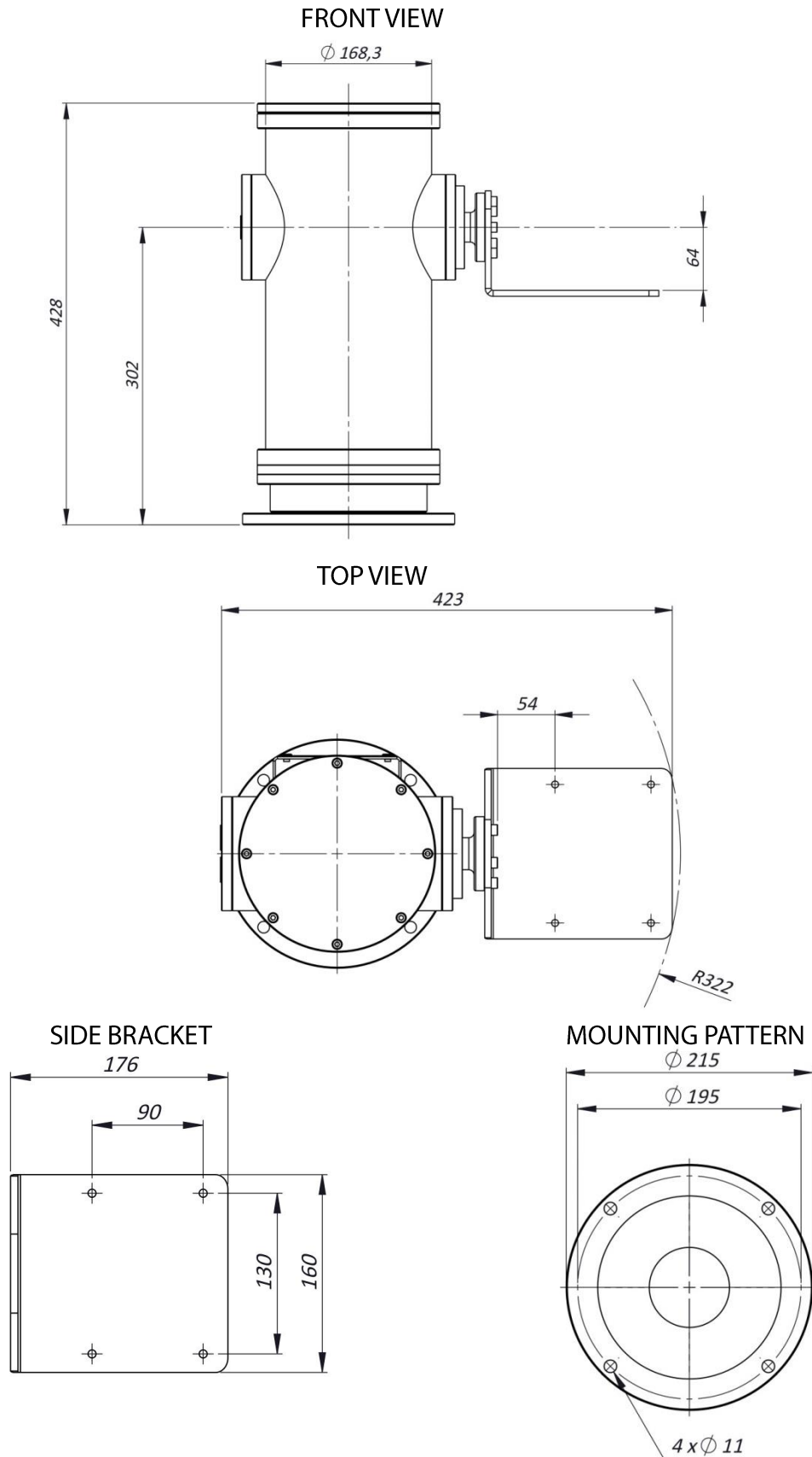
Email: [info@movitherm.com](mailto:info@movitherm.com)

<http://www.movitherm.com>

[www.tecnovideoctv.com](http://www.tecnovideoctv.com)

## STAINLESS STEEL PAN & TILT UNIT

### DIMENSIONS



*The unit cannot be installed upside-down nor horizontally*

Dimensions in millimetres - Tolerances according QMS - Design and products specifications subject to change without notice - rev. 20171020