

TECNOVIDEO

CCTV SYSTEMS AND ACCESSORIES

EX129 SERIES

STAINLESS STEEL CAMERA HOUSING



HAZARDOUS AREA

THE CERTIFIED SOLUTION THAT YOU CAN USE WITH YOUR OWN CAMERAS!

AISI316L STAINLESS STEEL CONSTRUCTION
 FOR USE IN HIGHLY CORROSIVE ENVIRONMENTS
 INTEGRATED WIPER VERSION AVAILABLE
 WEATHERPROOF STANDARD IP66/IP67
 AVAILABLE FOR CUSTOMER SPECIFIED CAMERAS
 SUITABLE FOR ANALOG AND IP CAMERAS
 DAY/NIGHT AND IR THERMAL VERSIONS AVAILABLE
 SUITABLE FOR DIRECT OPTICAL FIBER CONNECTION



EX129WW CAMERA HOUSING WITH WIPER

TECHNICAL SPECIFICATIONS

GENERAL & MECHANICAL

Dimensions	See drawings next page
Operating Temperature	-20° +60°C (-4° +140° F)
Construction	AISI316L Stainless Steel
Finish	Electro-polished
Mounting	4x M5 on 101,6 PCD 4x M6 on 90x130
Cable entries	up to 4x M20x1,5 (or up to 4x M25x1,5) cable entries (see MODELS section)

Weight

Model	Unit [kg]	Package [kg]
EX129/EX129IR/EX129IRS	9	10
EX129-M/EX129IR-M/EX129IRS-M	11	12
EX129-L/EX129IR-L/EX129IRS-L	12	13
EX129WW	10	11
EX129WW-M	12	13
EX129WW-L	13	14

ELECTRICAL

Thermostatically controlled heater	
T[°C] ON = 12 ± 4°C, T[°C] OFF = 20 ± 3°C	
Available voltages	24, 230 V~ (+/-10%)
Wiper	
Available voltages	24, 230 V~ (+/-10%)
Max power consumption	25W

CERTIFICATIONS

Ingress Protection Rating	EN 60529 (IP66/IP67) ⊕II 2 G Ex db op pr IIC T6 Gb -40°C ≤ Tamb ≤ +60°C ⊕II 2 D Ex tb IIC T85°C Db -40°C ≤ Tamb ≤ +60°C IP66/IP67 ⊕II 2 G Ex db op pr IIB T5 Gb -40°C ≤ Tamb ≤ +75°C ⊕II 2 D Ex tb IIC T100°C Db -40°C ≤ Tamb ≤ +75°C IP66/IP67
ATEX Standards	EN 60079-0:2012; EN 60079-1:2014; EN 60079-28:2015; EN 60079-31:2014
IECEx Standards	IEC 60079-0:2011; IEC 60079-1:2014-06; IEC 60079-28:2015; IEC 60079-31:2013
EMC	EN 61000-6-3:2007; EN 50130-4:1995 + A1:1998 + A2:2003 EN 60950-1:2006 + A11:2009
LVD	2011/65/EU
RoHS	2012/19/EU
WEEE	

MODELS

EX129-AS/24¹	Housing (L=250 mm)
EX129WW-AS/24¹	Housing (L=250 mm) with integrated wiper
EX129IR-AS/24²	Housing (L=250 mm) with protective grid
EX129IR-SW-AS/24²	Housing (L=250 mm) WITHOUT protective grid
EX129IRS-AS/24³	Housing (L=250 mm) with protective grid

- ¹ Usable front window diameter: 75 mm (toughened glass).
² Usable front window diameter: 50 mm (Germanium with Hard Carbon Coating).
³ Usable front window diameter: 50 mm (Sapphire)
 All EX129 models include sunshield and heater.

AVAILABLE OPTIONS AND ORDER CODE

Operating Voltage:	"24" (EX129-AS/24) for 24V~ operating voltage. "230" (EX129-AS/230) for 230V~ operating voltage.
Cable Entries:	"A" for single M25 cable entry (EX129-AS/24). "B" for single M20 cable entry (EX129-B5/24). "Cn" for multiple M25 cable entries, with n=2,3 or 4, (EX129-Cns/24). "Dn" for multiple M20 cable entries, with n=2,3 or 4, (EX129-Dns/24). "S" short (EX129-AS/24) for Length=250mm. "M" medium (EX129-AM/24) for Length=375mm. "L" long (EX129-AL/24) for Length=500mm.
Housing Length:	

PRE-ASSEMBLED CONDUIT TAILS

EXCT20AN3	3 metres 20 mm conduit tail analog + 2 M20 brass glands
EXCT20AN5	5 metres 20 mm conduit tail analog + 2 M20 brass glands
EXCT20AN10	10 metres 20 mm conduit tail analog + 2 M20 brass glands
EXCT20IP3	3 metres 20 mm conduit tail ethernet + 2 M20 brass glands
EXCT20IP5	5 metres 20 mm conduit tail ethernet + 2 M20 brass glands
EXCT20IP10	10 metres 20 mm conduit tail ethernet + 2 M20 brass glands
EXCT25AN3	3 metres 25 mm conduit tail analog + 2 M25 brass glands
EXCT25AN5	5 metres 25 mm conduit tail analog + 2 M25 brass glands
EXCT25AN10	10 metres 25 mm conduit tail analog + 2 M25 brass glands
EXCT25IP3	3 metres 25 mm conduit tail ethernet + 2 M25 brass glands
EXCT25IP5	5 metres 25 mm conduit tail ethernet + 2 M25 brass glands
EXCT25IP10	10 metres 25 mm conduit tail ethernet + 2 M25 brass glands

MOUNTING ACCESSORIES

EXSSBK129	Wall mounting bracket with swivel joint
EXSSPM129	Pole mount adapter
EXSSPTM129	Pole top mount adapter

ACCESSORIES AND SPARE PARTS

RX24IO	Telemetry controller for fixed wash/wipe housings
EXWB129	Wiper blade (complete assembly)
EXWBK129	Wiper blade (only spare part: rubber blade and support)

www.tecnovideocctv.com

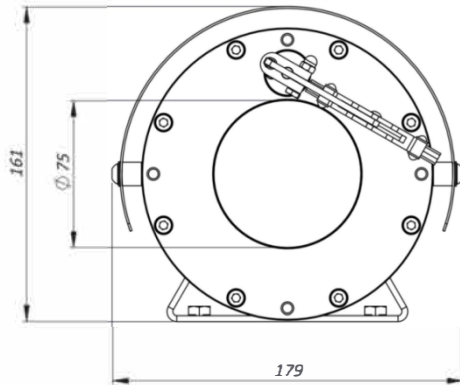
CODING

Meaning	Housing	Optional feature		Cable entries	Length		Supply Voltage
Example	EX129	WW	-	D3	M	/	230
Values	EX129: housing	WW: integrated wiper IR: thermal cameras (Germanium) IRS: thermal cameras (Sapphire) IR-SW: thermal cameras (gridless Germanium)		A: 1x M25x1,5 cable entry B: 1x M20x1,5 cable entry Cn: up to 4x M25x1,5 cable entries Dn: up to 4x M20x1,5 cable entries	S: 250mm M: 375mm L: 500mm		24 V~ 230 V~

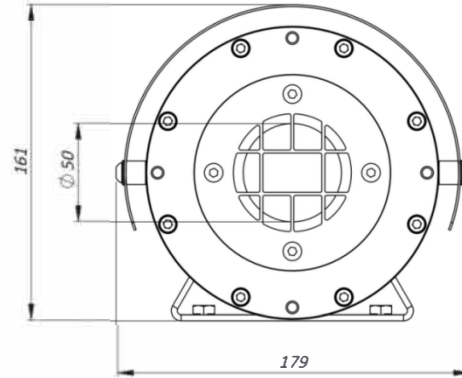
EX129WW-D3M/230: Housing (EX129) with integrated wiper (WW), 3x M20x1,5 cable entries (D3), 375mm long (M) and 230V~ supply voltage (230)

DIMENSIONS

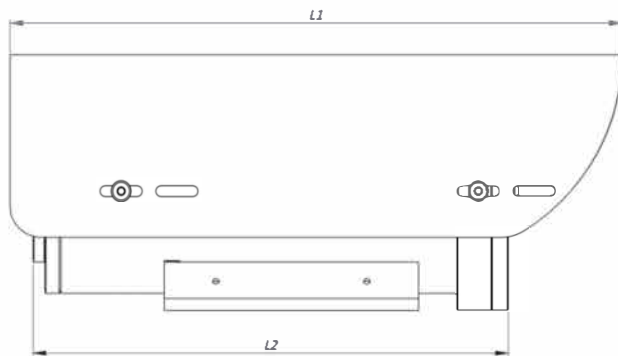
EX129WW FRONT VIEW



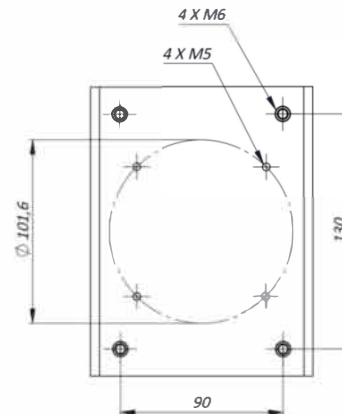
EX129IR FRONT VIEW



SIDE VIEW



MOUNTING PATTERN



MAX EXTERNAL LENGTH

Model	L1 [mm]	L2 [mm]
EX129/EX129IR/EX129IRS/EX129WW	385	299
EX129-M/EX129IR-M/EX129IRS-M/EX129WW-M	510	424
EX129-L/EX129IR-L/EX129IRS-L/EX129WW-L	630	544

Your authorized TECNOVIDEO distributor:

MOVITHERM
advanced thermography solutions

15540 Rockfield Blvd, Suite C-110
Irvine, CA 92618

Phone: (949) 699-6600

Fax: (949) 699-6601

Email: info@movitherm.com

<http://www.movitherm.com>

MAX INTERNAL USABLE AREA

Model	Max internal dimensions [mm]	Max usable internal diameter [mm]
EX129/EX129IR/EX129IRS	80x80x160	95
EX129-M/EX129IR-M/EX129IRS-M	80x80x285	95
EX129-L/EX129IR-L/EX129IRS-L	80x80x405	95
EX129WW	80x80x145	85
EX129WW-M	80x80x265	85
EX129WW-L	80x80x390	85

Please contact us if bigger cameras/zoom lenses are needed.

Dimensions in millimetres - Tolerances according QMS - Design and products specifications subject to change without notice - rev. 20171020