

ABFL-01

Air filtering battery 20-5-0.1 micron




Installation manual

DESCRIPTION

The air filtering battery **ABFL-01** is used together with the air barrier front window flange in order to keep clean the housing's front window, filtering the air from water and oil particles.

The battery is composed by three filters (20, 5 and 0,1 micron) in series, a pressure regulator and a pressure gauge. The water and the oil filtered are collected in 100 cc bowls. The 0.1 micron filter is made up by a microfiber coalescent cartridge which allows a high filtration efficiency of 99,99% on 0,1 µm particles. The regulator filter can keep stable the set pressure regardless of upstream variations. The air filtering battery can easily be installed due to its mounting bracket.

The filtering may be refilled with the microfiber cartridge suitable for the element.

	Prior to installation and operation, read carefully all instructions the in this manual and heed all warnings.
	Unpack this equipment and handle it carefully. If the package appears to be damaged, notify the shipper immediately.
	Use the original packaging to transport the unit. Disconnect power supply before moving it. In case of returning the equipment, the original packaging must be used.
	Use caution when lifting and assembling the unit. It is recommended that non-slip protective gloves be worn during installation. The unit could bear sharp edges.

TECHNICAL DATA

Dimensions:	250X280x100 mm
Weight:	1,5 kg
Max input pressure:	6 atm
Gauge pressure range:	from 0 to 6 atm
Filters:	20 micron, 5 micron and 0,1 micron
Input connector:	1/2" GAS
Output connector:	1/2" GAS (with 6 mm ext. diameter hose adaptor)
Temperature range:	from +5° to +50° C

MOUNTING INSTRUCTIONS

Place the filter in a suitable location and fix it to the wall using the wall fixing.

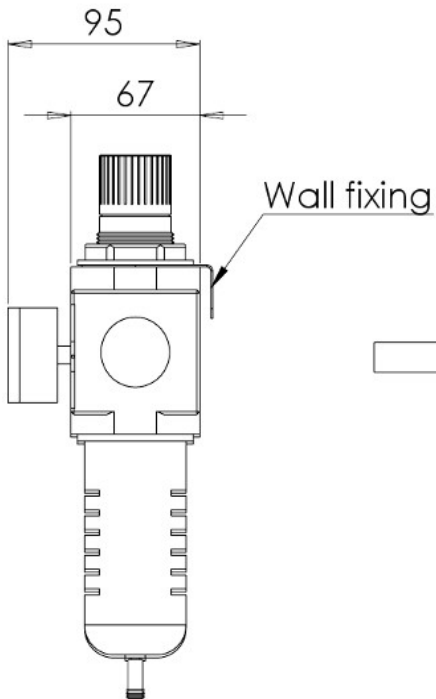
Connect the air tube to the filter inlet (as shown in figure) with a 1/2" GAS tube.

From the other side, connect the air outlet with an air tube which has to be connected with the front air flange of the camera housing.

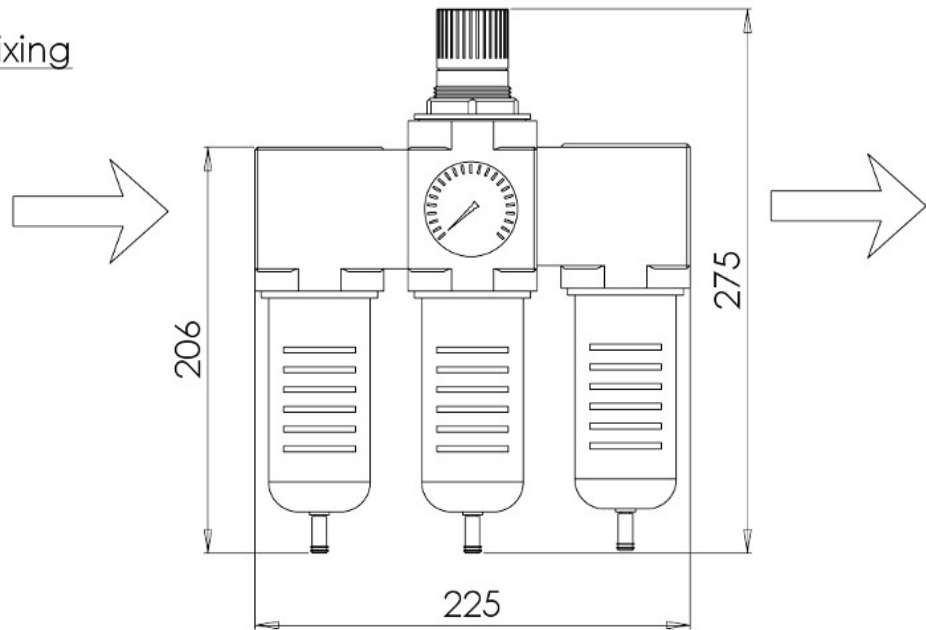
Pay attention to 6 atm maximum inlet pressure.

DIMENSIONS

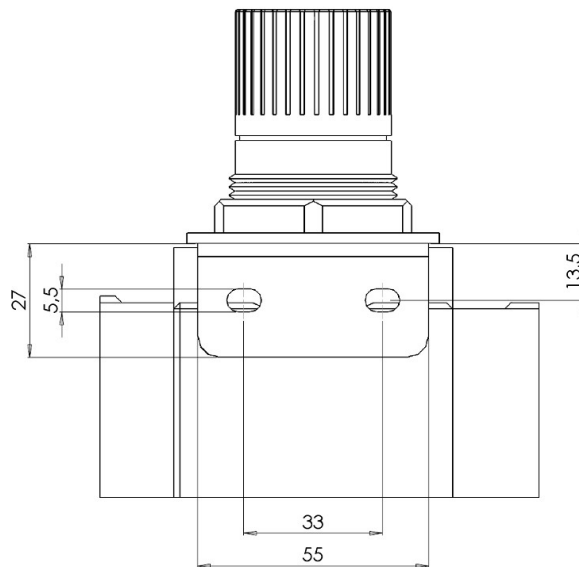
SIDE VIEW



FRONTAL VIEW



WALL FIXING



Dimensions in millimetres – Tolerances according QMS – Design and product specifications subject to change without notice

Your authorized TECNOVIDEO distributor:

MOVITHERM
advanced thermography solutions

15540 Rockfield Blvd, Suite C-110
Irvine, CA 92618

Phone: (949) 699-6600

Fax: (949) 699-6601


Email: info@movitherm.com

<http://www.movitherm.com>



Preserve this manual as a reference for future needs.

Here you can find the always up-to-date pdf version of this document:

	<p>Used electrical, electronic and stainless steel products should not be mixed with general waste. For proper treatment, recovery and recycling of old products, please take them to applicable collection points, in accordance with your national legislation and the Directives 2002/95/EC and 2002/96/EC. By disposing of these products correctly, you will help to save valuable resources and prevent any potential negative effects on human health and the environment which could otherwise arise from inappropriate waste handling. For more information about collection and recycling of old products, please contact your local municipality or your waste disposal service. Penalties may be applicable for incorrect disposal of this waste, in accordance with national legislation.</p>
---	--

The manufacturer declines all liability for any consequence resulting from improper installation practices, tampering or improper uses of the product.

The descriptions and illustrations contained in this manual are not binding. The manufacturer reserves the right to make any alterations deemed appropriate for the technical, manufacturing and commercial improvement of the product, while leaving the essential product features unchanged, at any time and without undertaking to update the present publication.

TECNOVIDEO S.r.l.

Via San L. Murialdo, 8 36030 Villaverla (VI) ITALY

Tel. +39.0445.350444 Fax +39.0445.357259

e-mail: info@tecnovideocctv.com – www.tecnovideocctv.com