

# TECNOVIDEO

CCTV SYSTEMS AND ACCESSORIES

## 204 SERIES

STAINLESS STEEL CAMERA STATION

SAFE AREA

AISI316L STAINLESS STEEL CONSTRUCTION  
FOR USE IN HIGHLY CORROSIVE ENVIRONMENTS  
EASY INSTALLATION AND MAINTENANCE  
INTEGRATED WIPER VERSION AVAILABLE  
WEATHERPROOF STANDARD IP66/IP67  
SUITABLE FOR ANALOG AND IP CAMERAS  
DAY/NIGHT AND IR THERMAL VERSIONS AVAILABLE  
REFINED AND MODERN DESIGN



204WW CAMERA HOUSING WITH SUNSHIELD, HEATER AND WIPER

### TECHNICAL SPECIFICATIONS

#### GENERAL & MECHANICAL

<b>Dimensions</b>	See drawings next page
<b>Operating Temperature</b>	-20° +60°C (-4° +140° F)
<b>Construction</b>	AISI316L Stainless Steel
<b>Finish</b>	Electro-polished
<b>Mounting</b>	See drawings next page
<b>Cable entries</b>	4 M20x1,5 nickel plated brass cable glands (included) Standard cable diameter 5-10mm

Weight	Unit [kg]	Package [kg]
<b>Model</b>		
204SH/204SHIR	13	15
204WW/204WWIR	15	17

#### ELECTRICAL

<b>Thermostatically controlled heater</b>	
T[°C] ON = 12 ± 4°C, T[°C] OFF = 20 ± 3°C	
<b>Available voltages</b>	24VUC (24V~/VDC), 230V~ (+/-10%)
<b>Power consumption</b>	15W

<b>Wiper</b>	
<b>Available voltages</b>	24VDC (+/-10%)
<b>Power consumption</b>	4W

#### CERTIFICATIONS

<b>Ingress Protection(EN 60529)</b>	IP66/IP67
<b>EMC</b>	EN 61000-6-3:2007; EN 50130-4:1995 + A1:1998 + A2:2003
<b>LVD</b>	EN 60950-1:2006 + A11:2009
<b>RoHS</b>	2011/65/EU
<b>WEEE</b>	2012/19/EU

#### MODELS

<b>204SH/24<sup>1</sup></b>	Housing + sunshield + heater. Supply voltage: 24VUC
<b>204WW/24D<sup>2</sup></b>	Housing + sunshield + heater + integrated wiper. 24VDC
<b>204SHIR70/24<sup>3</sup></b>	Housing + sunshield + heater. Supply voltage: 24VUC
<b>204SHIR70/230<sup>3</sup></b>	Housing + sunshield + heater. Supply voltage: 230V~
<b>204WWIR70/24D<sup>3</sup></b>	Housing + sunshield + heater + integrated wiper. 24VDC
<b>204SHIR110/24<sup>4</sup></b>	Housing + sunshield + heater. Supply voltage: 24VUC
<b>204SHIR110/230<sup>4</sup></b>	Housing + sunshield + heater. Supply voltage: 230V~
<b>204WWIR110/24D<sup>4</sup></b>	Housing + sunshield + heater + integrated wiper. 24VDC
<b>204SHIR145/24<sup>5</sup></b>	Housing + sunshield + heater. Supply voltage: 24VUC
<b>204SHIR145/230<sup>5</sup></b>	Housing + sunshield + heater. Supply voltage: 230V~

- <sup>1</sup> Usable front window diameter: 145 mm, thickness: 5 mm
- <sup>2</sup> Usable front window diameter: 120 mm, thickness: 12 mm. Vandal resistant glass
- <sup>3</sup> Usable front window diameter: 70 mm, thickness: 3 mm. Germanium, AR/DLC coating
- <sup>4</sup> Usable front window diameter: 110 mm, thickness: 3 mm. Germanium, AR/DLC coating
- <sup>5</sup> Usable front window diameter: 145 mm, thickness: 3 mm. Germanium, AR/DLC coating

#### MOUNTING ACCESSORIES

<b>SSBK204</b>	Wall mounting bracket with swivel joint for 204 Series
<b>SSPM204</b>	Pole mount adapter for SSBK204

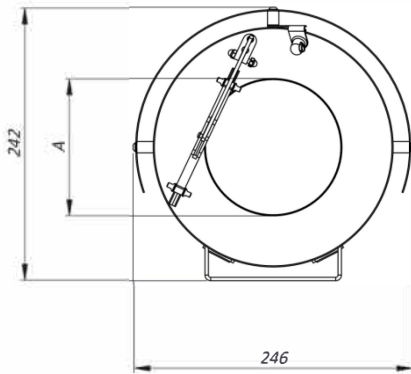
#### ACCESSORIES AND SPARE PARTS

<b>WB204</b>	Wiper blade (complete assembly)
<b>WBK204</b>	Wiper blade (only spare part: rubber blade and support)
<b>HK204</b>	15W heater kit (24VUC)
<b>MK204</b>	Maintenance kit with O-ring seals, screws seals, screws, hex keys, desiccant bags

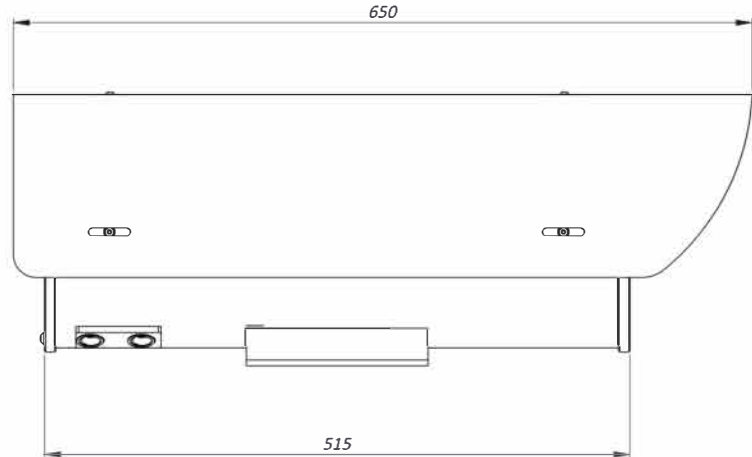
## STAINLESS STEEL CAMERA STATION

### DIMENSIONS

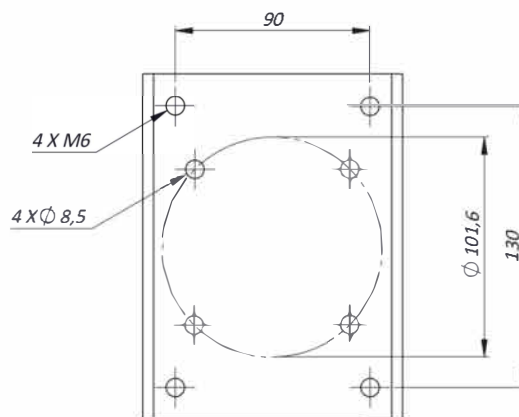
FRONT VIEW



SIDE VIEW



MOUNTING PATTERN



Your authorized TECNOVIDEO distributor:

**MOVITHERM**

advanced thermography solutions

15540 Rockfield Blvd, Suite C-110  
Irvine, CA 92618

Phone: (949) 699-6600

Fax: (949) 699-6601

Email: [info@movitherm.com](mailto:info@movitherm.com)

<http://www.movitherm.com>

FOR "A" VALUES CHECK "MODELS" SECTION

### MAX INTERNAL USABLE AREA

Model	Max internal dimensions [mm]	Max usable internal diameter [mm]
204SH/204HIR	130x130x348	166
204WW/204WWIR	130x130x348	164