

TECNOVIDEO

CCTV SYSTEMS AND ACCESSORIES

129AC SERIES

STAINLESS STEEL CAMERA STATION

SAFE AREA

AISI316L STAINLESS STEEL CONSTRUCTION
FOR USE IN HIGHLY CORROSIVE ENVIRONMENTS
EASY INSTALLATION AND MAINTENANCE
AIR COOLING SYSTEM
WEATHERPROOF STANDARD IP66/IP67
SUITABLE FOR ANALOG AND IP CAMERAS
DAY/NIGHT AND IR THERMAL VERSIONS AVAILABLE
REFINED AND MODERN DESIGN



129AC AIR COOLED CAMERA HOUSING

TECHNICAL SPECIFICATIONS

GENERAL & MECHANICAL

Dimensions	See drawings next page
Construction	AISI316L Stainless Steel
Finish	Electro-polished
Mounting	See drawings next page
Cable entries	2 M20x1,5 nickel plated brass cable glands (included) Standard cable diameter 5-10mm

Weight	Unit [kg]	Package [kg]
Model		
129AC/129ACIR	6	7

CERTIFICATIONS

Ingress Protection(EN 60529)	IP66/IP67 (when operating)
EMC	EN 61000-6-3:2007; EN 50130-4:1995 + A1:1998 + A2:2003
LVD	EN 60950-1:2006 + A11:2009
RoHS	2011/65/EU
WEEE	2012/19/EU

MODELS

129AC¹	Air cooled camera housing
129ACIR70²	Air cooled camera housing

¹	Usable front window diameter: 70mm, thickness: 5mm. Borosilicate.
²	Usable front window diameter: 70mm, thickness: 3mm. Germanium, AR/DLC coating

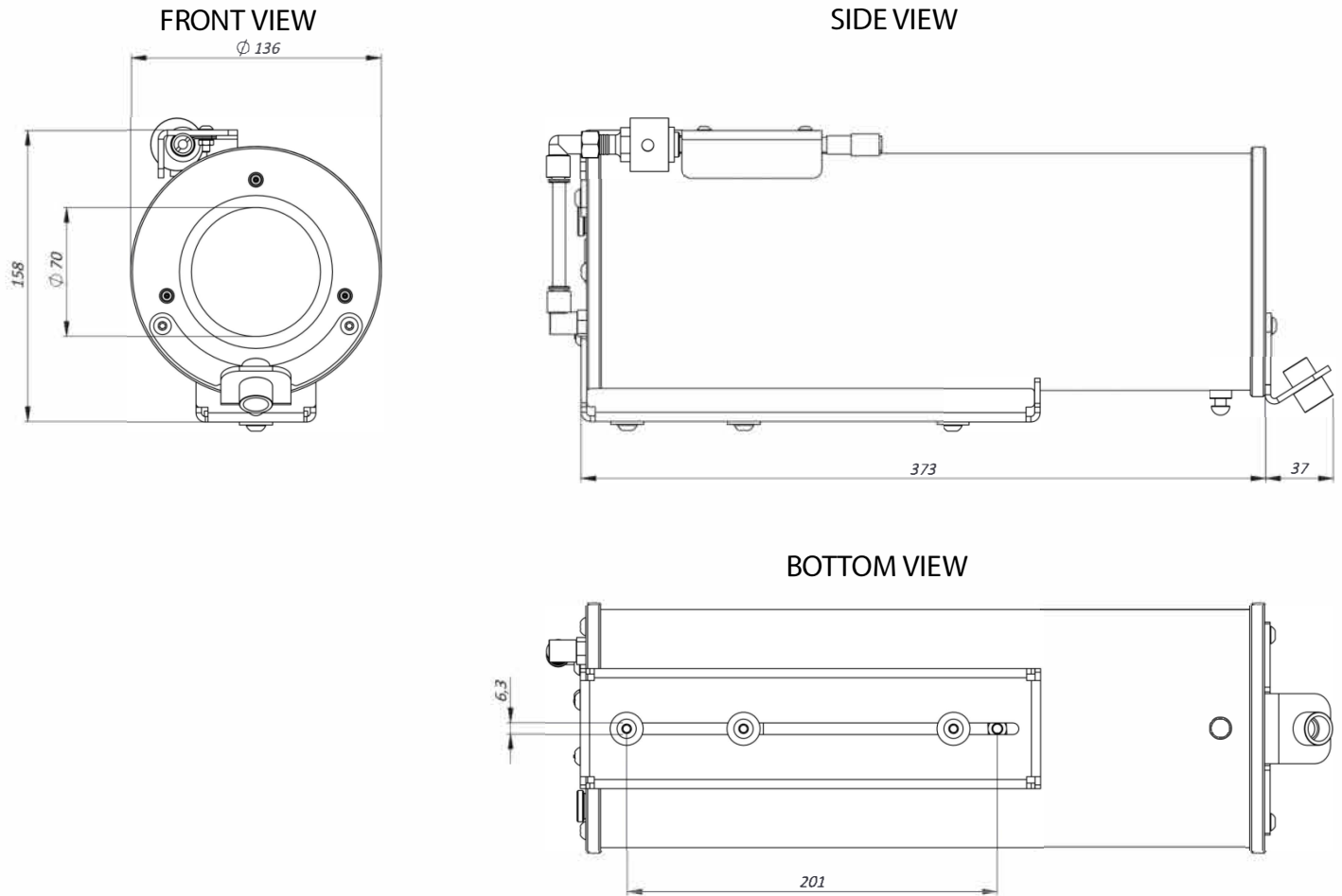
MOUNTING ACCESSORIES

SSBK129	Wall mounting bracket with swivel joint for 129 Series
SSBK129CLN	Ceiling mounting bracket with swivel joint for 129 Series
SSPM129	Pole mount adapter for SSBK129
SSPTM129	Pole top mount adapter for 129 Series
SSCM129	Corner mount adapter for SSBK129

ACCESSORIES AND SPARE PARTS

WB129	Wiper blade (complete assembly)
WBK129	Wiper blade (only spare part: rubber blade and support)
ABFL-01	Air filtering battery 20 – 5 – 0.1 micron (for air barrier front flange)
HK129/24	10W heater kit (24VUC)
HK129/230	10W heater kit (230V~)
MK129	Maintenance kit with O-ring seals, screws seals, screws, hex keys, desiccant bags

DIMENSIONS



MAX INTERNAL USABLE AREA

Model	Max internal dimensions [mm]	Max usable internal diameter [mm]
129AC/129ACIR	80x80x300	96

Your authorized TECNOVIDEO distributor:

MOVITHERM
advanced thermography solutions

15540 Rockfield Blvd, Suite C-110
Irvine, CA 92618

Phone: (949) 699-6600

Fax: (949) 699-6601

Email: info@movitherm.com

<http://www.movitherm.com>